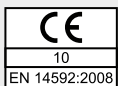




HECO®-WS

PRODUCT INFORMATION

- Easy to use without pre-drilling of steel or timbers
- Self drilling due to special drilling tip
- Can be used for many applications
- Simple, reliable calculation according to EN 1995-1-1
- High yield moment $M_{y,k} = 31,93 \text{ Nm}$
- Dismountable
- Fastening via the thread underneath the head
- High fire resistance
- Form-fitting direct fastening results in maximum fitting accuracy
- Aesthetically pleasing connection without destruction of the rear surface of the timber



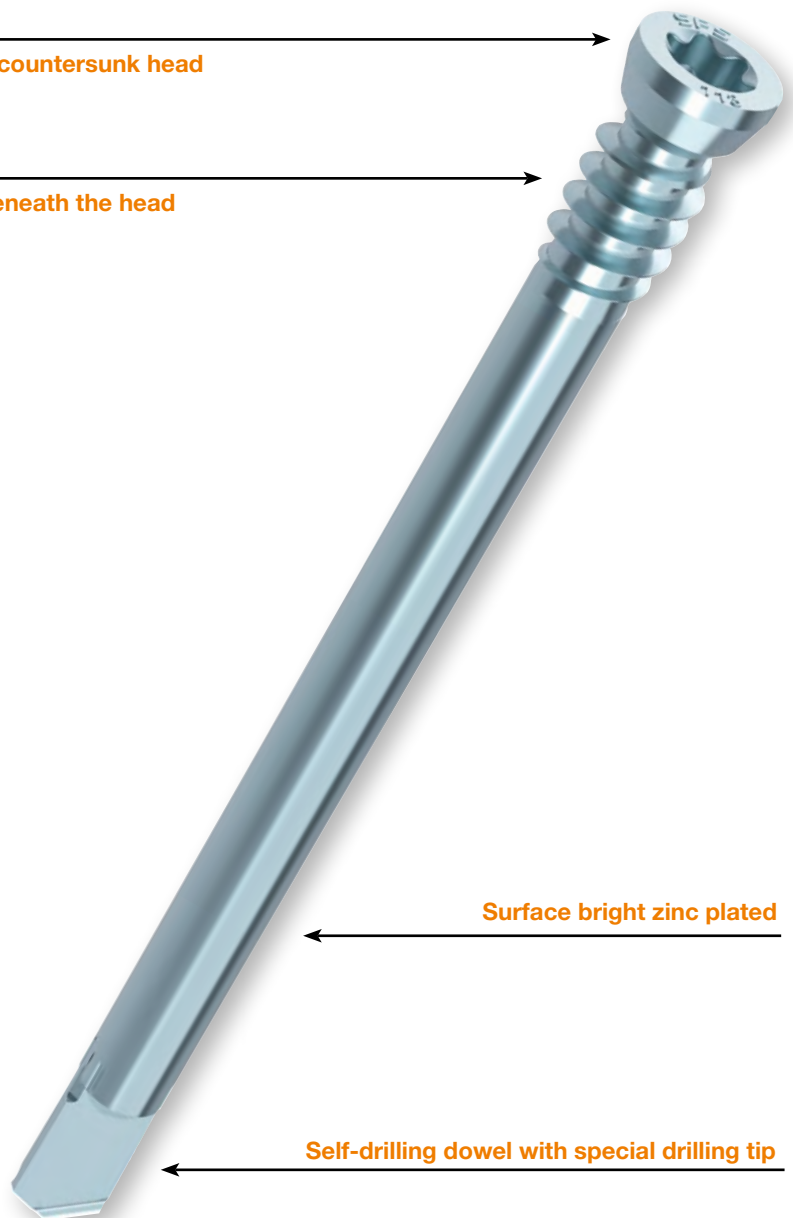
Enhanced efficiency in structural timberwork

Cylindric countersunk head

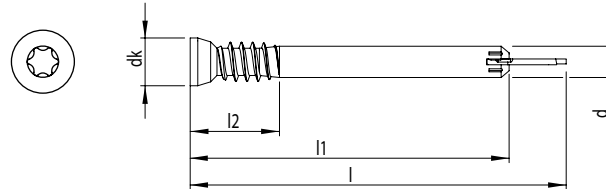
Thread beneath the head

Surface bright zinc plated

Self-drilling dowel with special drilling tip



Type:	HECO-WS steel dowel, cylindric countersunk head	
	secondary thread	
Material:	carbon steel	
Surface:	bright zinc plated, A2K	Color code HECO-label
Recess:	T-Drive	



Size D x L [mm]	Article No.	Thread length l2 [mm]	Head diameter [mm]	Recess	CE	Packing unit [pcs.]	Piece per outer carton [pcs.]	Piece per pallet [pcs.]
--------------------	-------------	--------------------------	--------------------------	--------	----	------------------------	-------------------------------------	-------------------------------

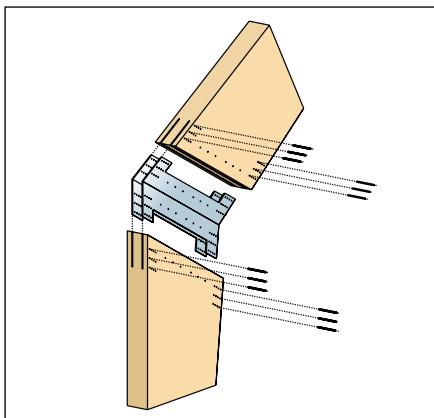
VARIANTA - BOXES FOR PROFESSIONALS

7,0	73	53342	21	10,0	T-40	O	100	400	28.800
	93	53344	21	10,0	T-40	O	100	400	28.800
	113	53346	21	10,0	T-40	O	100	400	24.000
	133	53347	21	10,0	T-40	O	100	400	24.000
	153	53348	21	10,0	T-40	O	50	200	14.400
	173	53349	21	10,0	T-40	O	50	200	12.800
	193	53350	21	10,0	T-40	O	50	200	12.800
	213	53351	21	10,0	T-40	O	50	200	12.800
	233	53352	21	10,0	T-40	O	50	200	12.800

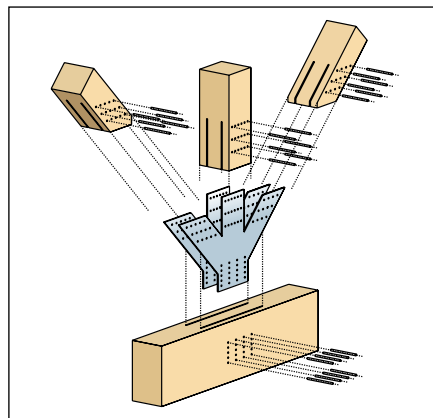
O = CE according EN 14592:2008

APPLICATION EXAMPLES

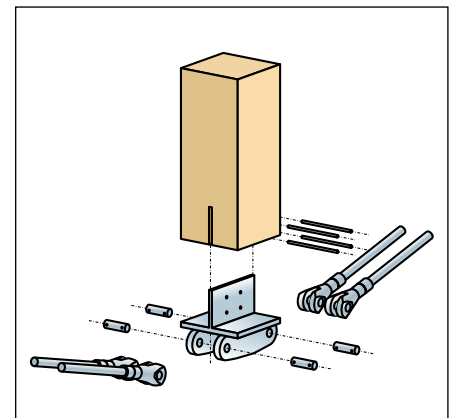
- *Post and rail joint*
- *Fixed column base plate*
- *Assembly joint/repairs*
- *Supporting joint*



Frame corner



Framework joint



Base clamping